



# Contents

<b>Installation</b>	<b>02</b>
<b>General Operation</b>	<b>03</b>
<b>Controls</b>	<b>03</b>
<b>Routine Maintenance</b>	<b>04</b>
<b>Repairs</b>	<b>04</b>
<b>End of Life Disposal</b>	<b>05</b>
<b>Wiring Diagram: Popular &amp; Premier Maxi</b>	<b>06</b>
<b>Wiring Diagram: Popular &amp; Premier Ecochill Maxi</b>	<b>07</b>
<b>Wiring Diagram: Popular &amp; Premier 3ft Version 1</b>	<b>08</b>
<b>Wiring Diagram: Popular &amp; Premier 3ft Version 2</b>	<b>09</b>
<b>Wiring Diagram: Popular &amp; Premier Ecochill 3ft</b>	<b>10</b>
<b>Spares Order</b>	<b>11</b>
<b>Spares Identification</b>	<b>12</b>
<b>Your Notes</b>	<b>13</b>

## Installation

Store the unit upright. If the unit has been stored or transported on its back, front or sides then it must be placed upright for at least an hour before switching on. Place the unit on an even horizontal surface as far away as possible from any source of heat.

### Notes:

Do not move unit by lifting either the door or door handle as this may cause damage to the cabinet.

This unit is designed for indoor use only, do not install in an area where a water jet could be used.

The unit must be installed in an area where use and maintenance are restricted to trained personnel only.

Please ensure the correct aperture size is made available for this unit:

### Space Required

	All dimensions exclude door handle		Depth	
	Height	Width	Swing Door	Sliding Door
3ft Double	925mm	915mm	525mm	545mm
Maxi Double	925mm	1060mm	525mm	545mm

### Unit Dimensions

	All dimensions exclude door handle		Depth	
	Height	Width	Swing Door	Sliding Door
3ft Double	900mm	910mm	500mm	520mm
Maxi Double	900mm	1055mm	500mm	520mm

The correct aperture size should give a gap of approximately 25mm between the top of the cabinet and the underside of the back bar and between the back of the unit and the wall. Poor ventilation due to insufficient aperture size is likely to cause: reduced cooling; Icing up; Premature compressor failure.

### Warning:

If the supply cord is damaged, the manufacturer, its service agent or similarly qualified person must replace it, in order to avoid a hazard.

## General Operation

The cabinet doors should remain firmly closed during normal operation. This prevents warm moist air entering and creating frost within the cabinet. If the cabinet is left open for extended periods ice will form. This will prevent cooling and the machine will then require defrosting (see page 04).

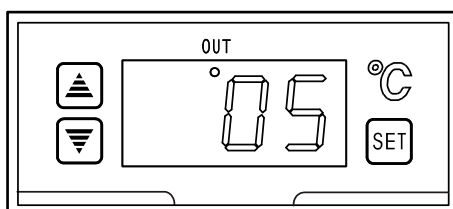
The unit should be left switched on, and should not be switched off between trading sessions. The unit is designed to operate in an ambient temperature range of 6°C -25°C, however for short periods of time (up to 8 hours) the unit will operate normally at 32°C. The cabinet is designed to chill product in sealed containers only i.e. bottles, cans etc. It is not recommended that glasses of drink or similar are placed in the unit for cooling.

## Controls

The thermostat control is situated inside the cabinet on the back panel. Refrigeration is switched on and off at the mains supply. The light is controlled independently by using the toggle switch provided at the front of the unit.

### Electronic Thermostat Control

To set the desired temperature: Press the **SET** button (the current set temperature is now displayed). Then press the **▲** or **▼** button to modify the displayed value. Finally press the **SET** button to store the value and exit the adjustment. If no more buttons are pressed within 10 seconds then the display will once more show the current internal temperature of the unit.



### Mechanical Thermostat Control

Rotate the given control clockwise until a satisfactory level of cooling is achieved (the higher the number the colder the product).

**Notes:**

Setting the unit at a colder thermostat setting will not make the unit cool down faster. This unit has been installed with an automatic defrost system to prevent the build-up of ice on interior panels. In the unlikely event of an ice build-up; switch off the unit for several hours to allow the ice to melt; wipe the inside of the unit with an absorbent cloth and dry; then restart the unit.

**Routine Maintenance**

Wipe clean the inside of the cabinet once a week using a damp cloth. The rubber door seals should be cleaned thoroughly in the event of a product spillage, as any sticky residue left on the surface of these will damage the rubber and prevent the seal from working correctly. It is recommended that the condenser is cleaned free of dirt and grime approximately every 6 months. The condenser is accessed from the rear of the machine and is the silver coloured object with metal 'fins' situated under the fan on the refrigeration components deck. Failure to keep the condenser clean will reduce the refrigeration performance of the machine.

**Warning:**

This unit must not be cleaned using a water jet.

**5. Repairs**

Service and maintenance must be carried out by persons having knowledge and practical experience of this unit.

**Warning:** Ensure unit is switched off at the mains before attempting the following maintenance and repair procedures.

**Lamp Replacement:**

Open the front doors and remove the lamp covers. This is achieved by slightly compressing the cover and lowering from its holder.

Twist the lamp from its socket and remove from the cabinet.

Reverse the procedure to fit new lamp.

**Starter replacement:**

Open the front door(s).

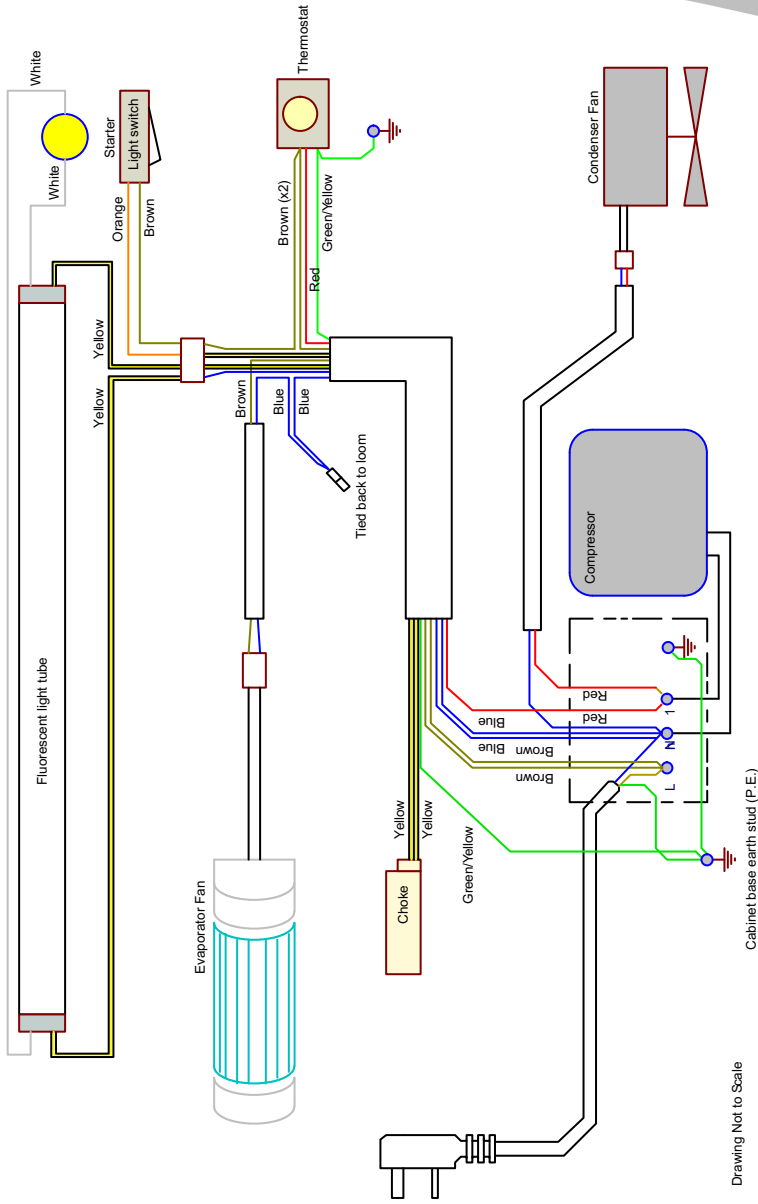
Starter is located at top right hand corner of inner cabinet. Twist anti-clockwise to remove.

Twist new starter clockwise into position.

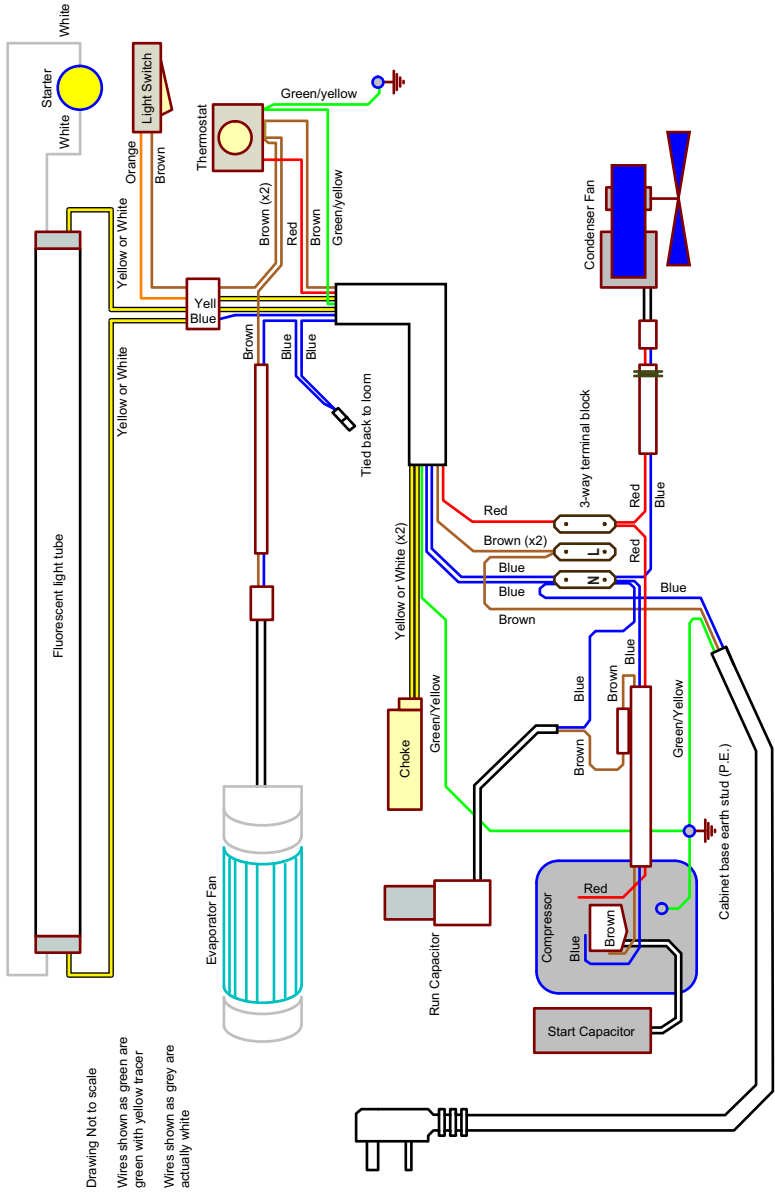
**End of life disposal**

This unit contains fluorinated greenhouse gas HFC-134a regulated by the Kyoto protocol, the warming potential of which is 1300, and therefore must be disposed of responsibly.

# Wiring Diagram Popular & Premier Maxi units



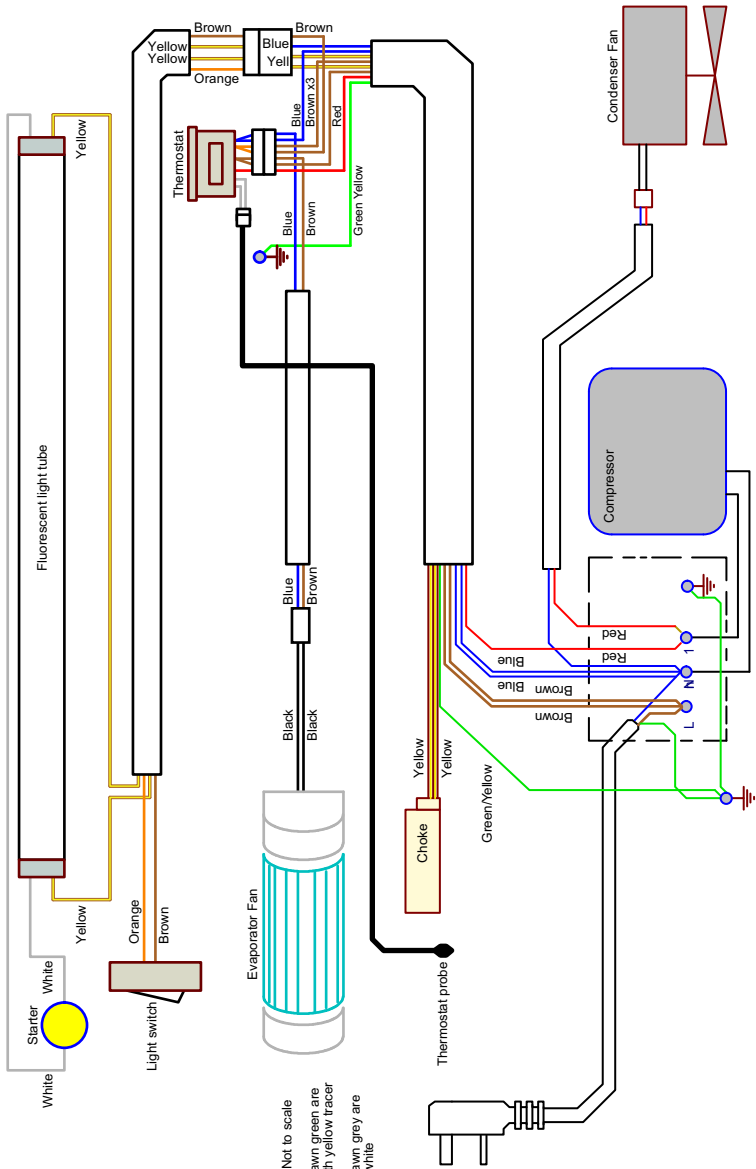
# Wiring Diagram EcoChill Popular & Premier Maxi units



Drawing Not to scale  
 Wires shown as green are green with yellow tracer  
 Wires shown as grey are actually white



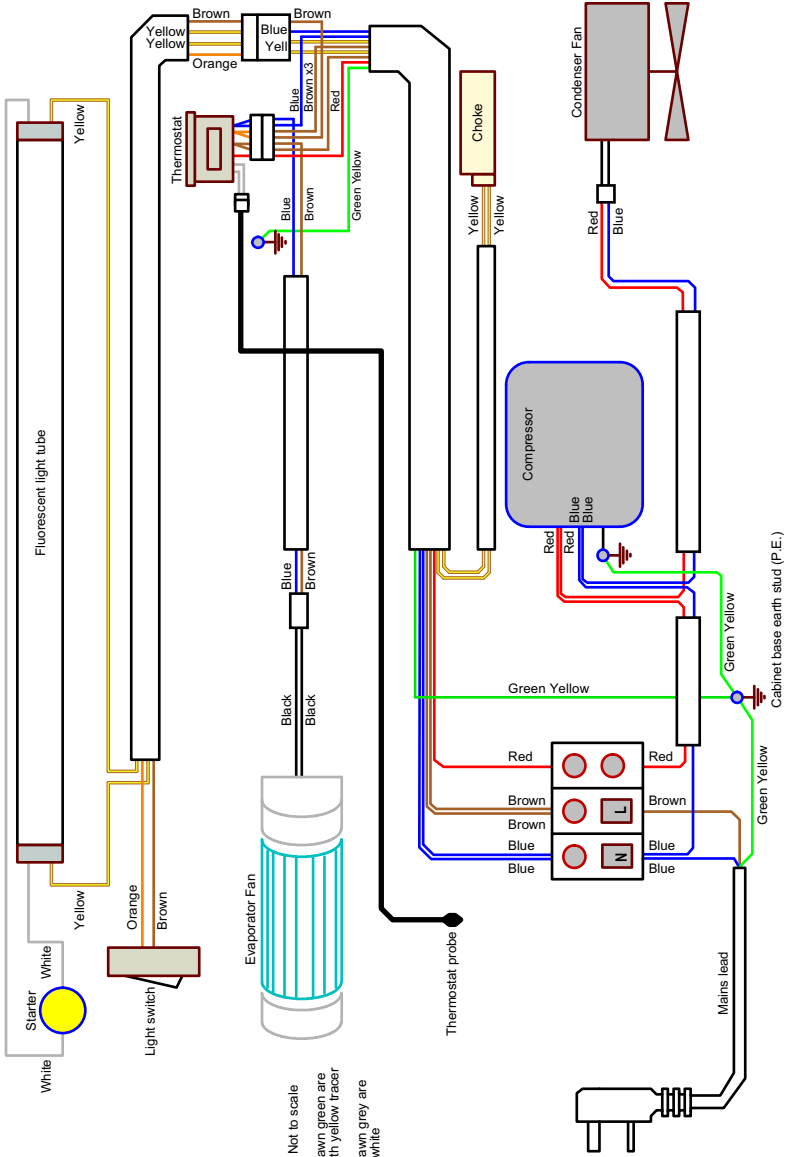
# Wiring Diagram Popular & Premier 3ft units without a terminal block



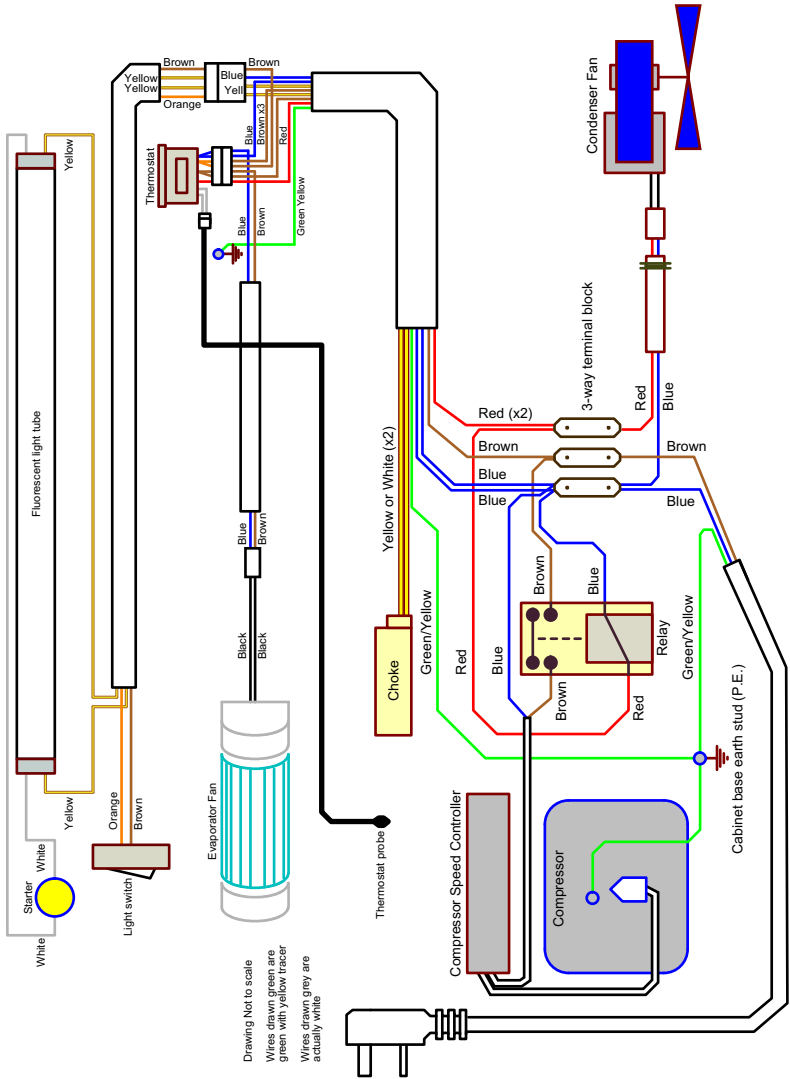
Drawing Not to scale  
 Wires drawn green are green with yellow tracer  
 Wires drawn grey are actually white

Cabinet base earth stud (P.E.)

# Wiring Diagram Popular & Premier 3ft units with a terminal block



# Wiring Diagram EcoChill 3ft units



Drawing Not to scale  
 Wires drawn green are  
 green with yellow tracer  
 Wires drawn grey are  
 actually white

## To Order Spares

Find out the 'Diagram Number' of the spare(s) wanted from the exploded diagram below.

Refer to the parts Identification list (right) and find the Description' of the spare(s).

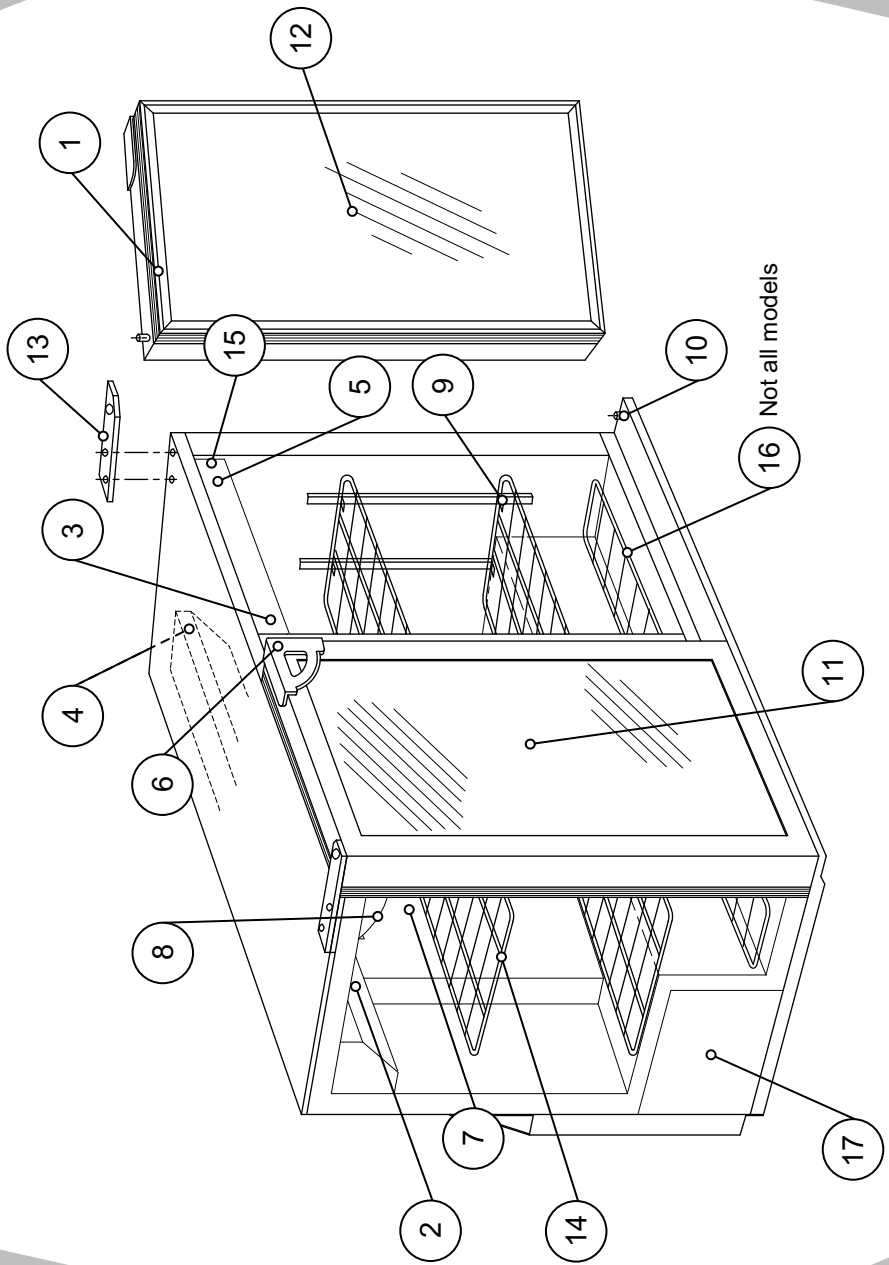
Find out the 'Serial Number' & 'Variant Number' of your unit. These are shown on the serial label (a metallic label located on the inside left wall of the cabinet) and repeated on the front of this guide.

Telephone our Sales Department on 01666 502641 with this information.

## Spares Policy

The recommended spares for this unit are indicated in the diagram below. These parts will be made available for a period not less than five years after a machine has ceased to be produced or a change has been introduced. Where a change of part results in a lack of interchangeability, the old part will continue to be available for five years. Where a change of part or assembly of parts retains interchangeability, the company reserves the right to supply the new part or assembly only.

Diagram Number	Description
1	Door seal
2	Evaporator Fan
3	Light Tube
4	Thermostat
5	Lamp Starter
6	Door handle
7	Evaporator
8	Light Diffuser
9	Shelf clip
10	Door bush
11	Door black metal Left
12	Door black metal Right
13	Hinge plate
14	Shelf
15	Light Switch
16	Bottom Shelf
17	Condenser & Fan, Compressor, Condensate Pot, Drier, Chokey



## Notes

## Notes

# autonumis

Autonumis Ltd, Cirencester Rd,  
Tetbury, Gloucestershire.  
GL8 8SA United Kingdom  
Tel +44 (0) 1666 502641  
Fax +44 (0) 1666 504397