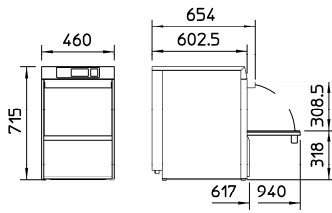


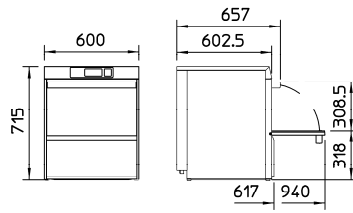
Connection diagram UC Series

Dimensions

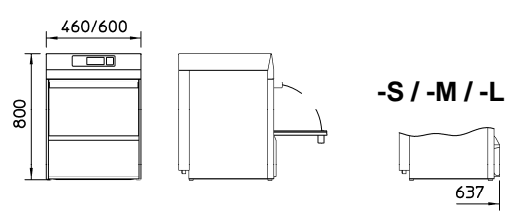
UC-S



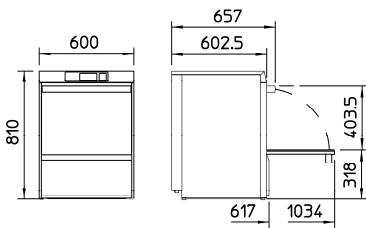
UC-M



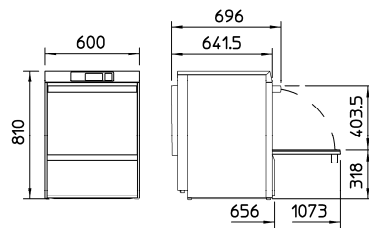
UC-S Energy / UC-M Energy



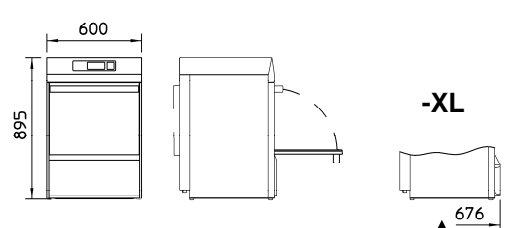
UC-L



UC-XL



UC-L Energy / UC-XL Energy



The vertical dimensions can be adapted with adjustable feet by +35 mm. Niche dimension for the installation of the machine into a counter see page 3.

Due to included containers for detergent and rinse aid, the depth in all machines increases by 20 mm.

Side view

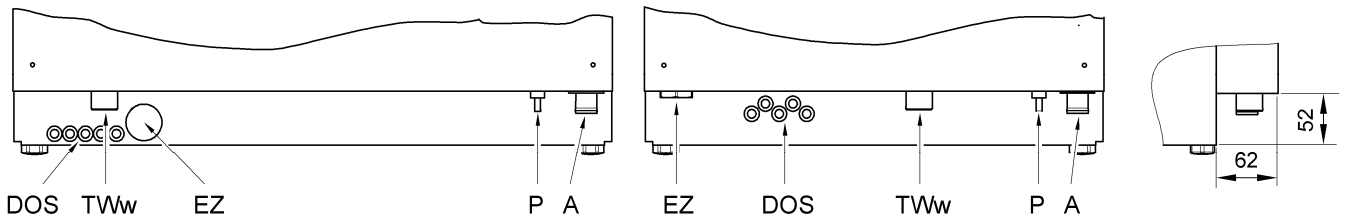
Position of the connections (rear view)

UC-M, UC-M Energy

UC-L, UC-L Energy

UC-XL, UC-XL Energy

UC-S, UC-S Energy



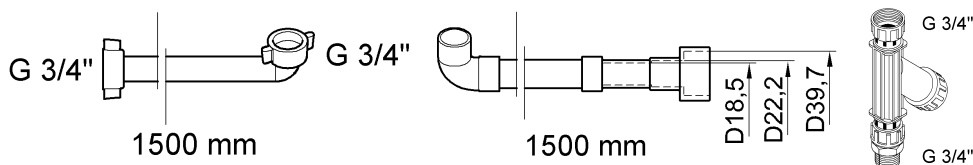
DOS	Port for hoses (detergent / rinse aid) and cables
TWw	Drinking water connection (G 3/4", external thread)
EZ	Port for electrical connection cable
P	Connection for local equipotential bonding system (⚡)
A	Waste water connection; drain pump installed

Accessories

Flexible supply hose; connect to point TWw

Flexible drain pipe; connect to point A

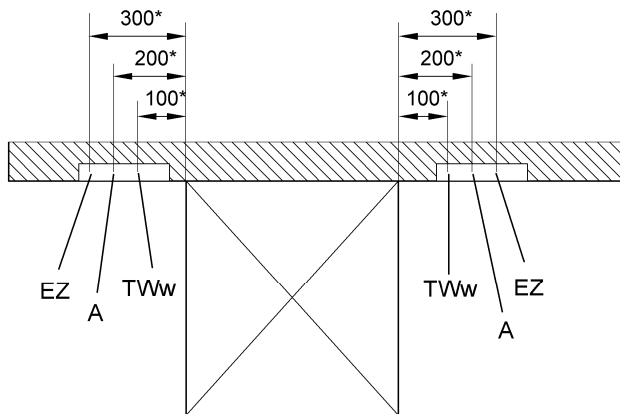
Dirt trap; install between water stop cock and supply hose



Local requirements

see page 2

Installation diagram UC Series



* Considering the local conditions, the exact dimensions must be determined. The dimensions of the machine can be found on page 1.

Important!
 Provide the local connections on the left or the right beside the machine.
 Observe both the local and country-specific regulations when conducting electrical and hydraulic connection work.
 Only when the local mains disconnecter is switched off, the machine is without power.
 Involve the machine in equipotential bonding.

Supply hose
 Old existing hoses may not be re-used.
 The supply hose may not be shortened or damaged.

Electrical supply pipe (Type H07 RN-F)
 A modification or a replacement may only be carried out by the producer, its service agent or another person that is similarly qualified.

TWw Water connection (G 3/4", external thread)

Position: appr. 400 mm above finished floor
 Water quality: drinking water in accordance with the Drinking Water Ordinance
 Water inlet temperature: max. 60°C
 cold water in machines of the versions „Cool“ and „Energy“
 Water hardness: ≤ 3 °dH / 3.8 °e / 0.54 mmol/l
 ≤ 30 °dH (37.6 °e; 5.35 mmol/l) in machines with integrated softener
 Flow pressure: 80-600 kPa; (0.8-6.0 bar)
 measured after a possibly upstream water treatment unit
 Flow rate: at least. 4 l/min
 at least 3 l/min in machines of the version „Energy“
 Supply hose: included in delivery of the machine
 direct connection without protection fitting is allowed

A Waste water connection:

Position: max. 600 mm above finished floor
 Construction: with siphon
 Drain pipe: 1500 mm long (standard)

EZ Electrical connection

Position: appr. 300 mm above finished floor
 Construction: wall outlet
 mains disconnecter with all-pole mains disconnection
 and at least 3 mm contact opening width
 residual-current circuit breaker
 Protection: depends on the total connection load of the machine (see page 3)
 Electric supply pipe: 3000 mm long (optional accessories)
 cross section: 2.5 mm²
 connection according to operating instructions if not connected

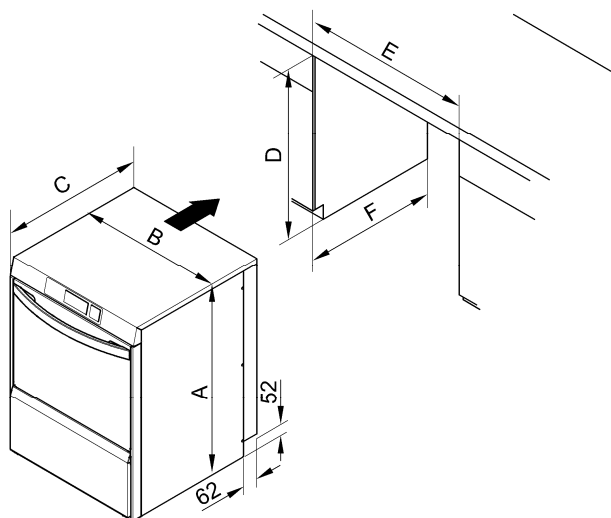
Total connecting loads UC Series

Voltage	Protection	Total connection load	Total connection load Version Cool	
380 V – 415 V / 3N~	16 A	7.9 kW	6.1 kW	
380 V – 415 V / 3N~	10 A	6.0 kW	---	
220 V – 240 V / 1N~	16 A	3.2 kW	3.4 kW	
220 V – 240 V / 1N~	20 A	4.2 kW	4.2 kW	UK
220 V – 240 V / 1N~	13 A	2.6 kW	---	
220 V – 230 V / 1N~	10 A	1.8 kW	---	
380 V – 415 V / 3N~	20 A	9.7 kW	---	
380 V – 415 V / 3N~	15 A	7.7 kW	---	Australia
220 V – 240 V / 1N~	20 A	4.1 kW	---	
220 V – 240 V / 1N~	15 A	2.9 kW	---	
200 V / 3~	25 A	6.9 kW	---	Japan
200 V / 2~	20 A	3.3 kW	---	
230 V / 3~	25 A	7.3 kW	---	Belgium, Malaysia
230 V / 2~	16 A	3.0 kW	---	

Niche dimensions UC Series

If the machine is to be installed into a counter, the following niche dimensions must be adhered to. Fastening the machine inside the counter is not necessary.

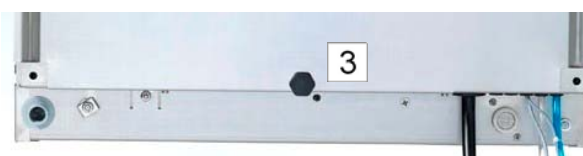
In the vicinity of the machine, use furniture that is appropriate for commercial areas in order to prevent a damage to the machine due to steam.



We recommend the assembly on 3 adjustable feet so that the installed machine can be easily adjusted in the height.



Remove the two rear adjustable feet (1 / 2) before moving the machine into the niche.



Install the adjustable foot (3) with the shorter thread (lies in the machine).

	UC-S	UC-M	UC-L	UC-XL	UC-S Energy	UC-M Energy	UC-L Energy	UC-XL Energy
A	715 ⁺³⁵	715 ⁺³⁵	810 ⁺³⁵	810 ⁺³⁵	800 ⁺³⁵	800 ⁺³⁵	895 ⁺³⁵	895 ⁺³⁵
B	460	600	600	600	460	600	600	600
C	602.5	602.5	602.5	640.5	602.5	602.5	602.5	640.5
D	725-750	725-750	820-845	820-845	810-835	810-835	905-930	905-930
E	470-480	610-620	610-620	610-620	470-480	610-620	610-620	610-620
F	605	605	605	645	605	605	605	645

Dimensions in mm

Further machine dimensions can be found on page 1